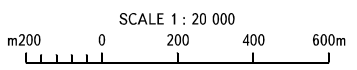
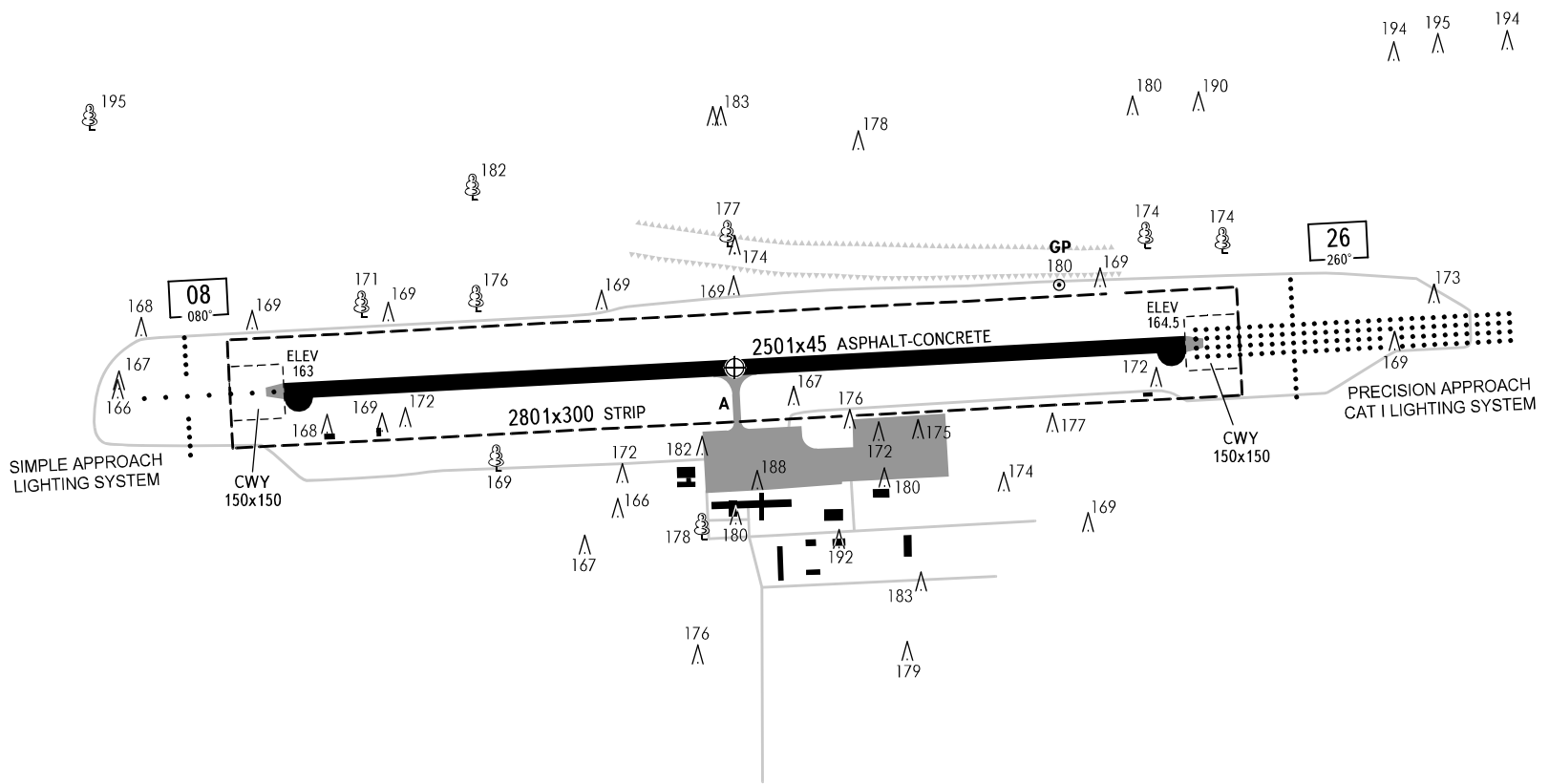
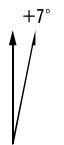


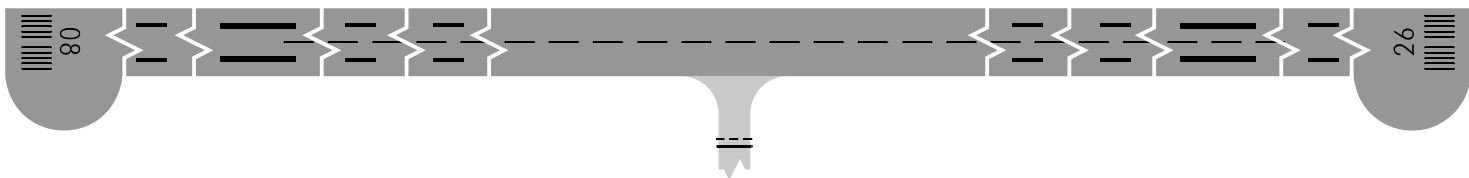
PZ - 90,02 coordinates



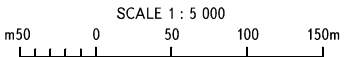
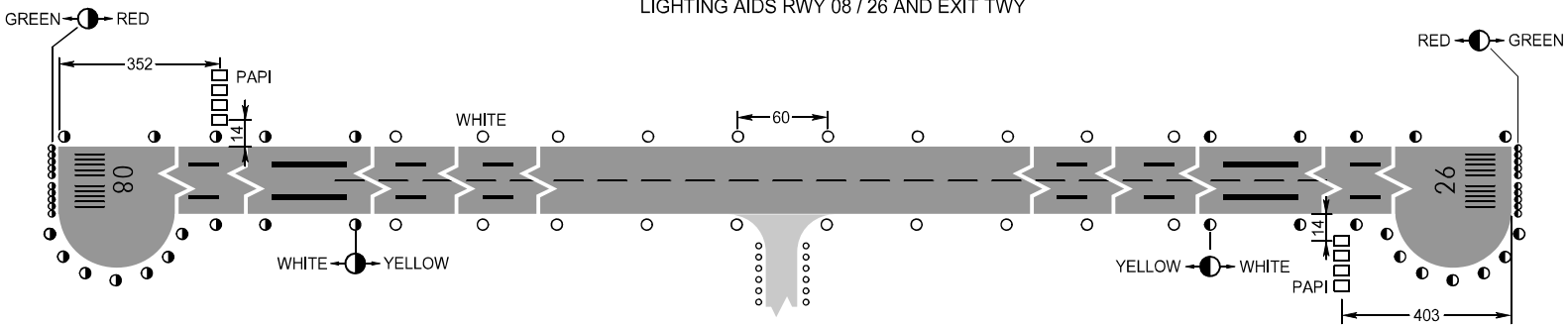
RWY	DIRECTION (TRUE)	THR	BEARING STRENGTH
08	086.73°	43°23'15"N 045°41'04"E	PCN 44 /F/D/X/T
26	266.76°	43°23'20"N 045°42'55"E	

ELEVATIONS AND DIMENSIONS IN METRES
 BEARINGS ARE MAGNETIC

MARKING AIDS RWY 08 / 26 AND EXIT TWY



LIGHTING AIDS RWY 08 / 26 AND EXIT TWY



DIMENSIONS IN METRES

CHANGE: NIL