

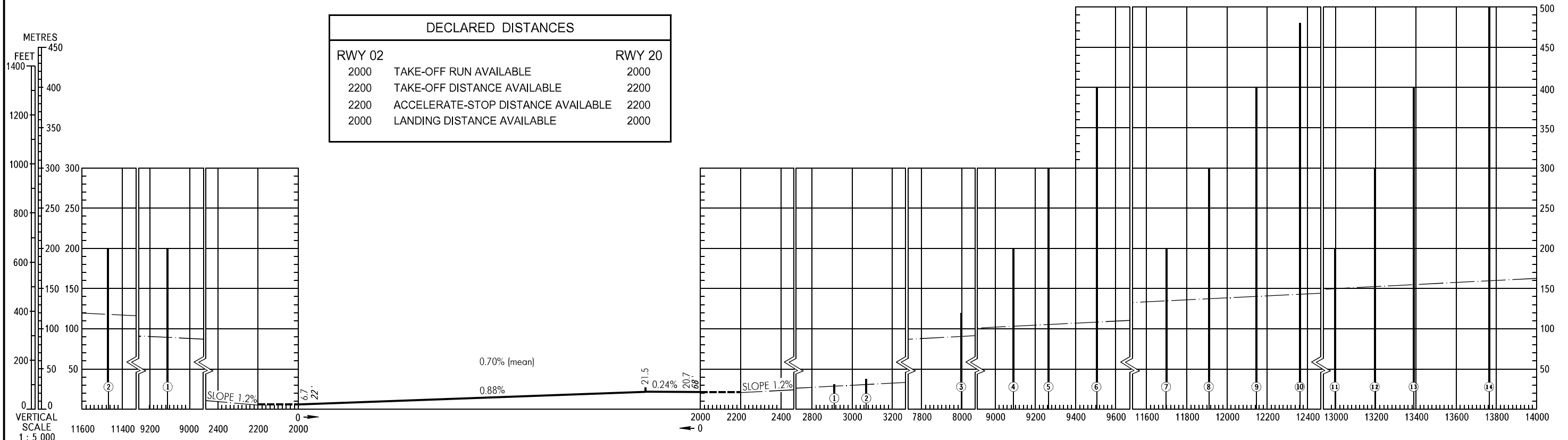
AERODROME OBSTACLE  
CHART - ICAO

TYPE **A** (OPERATING LIMITATIONS)

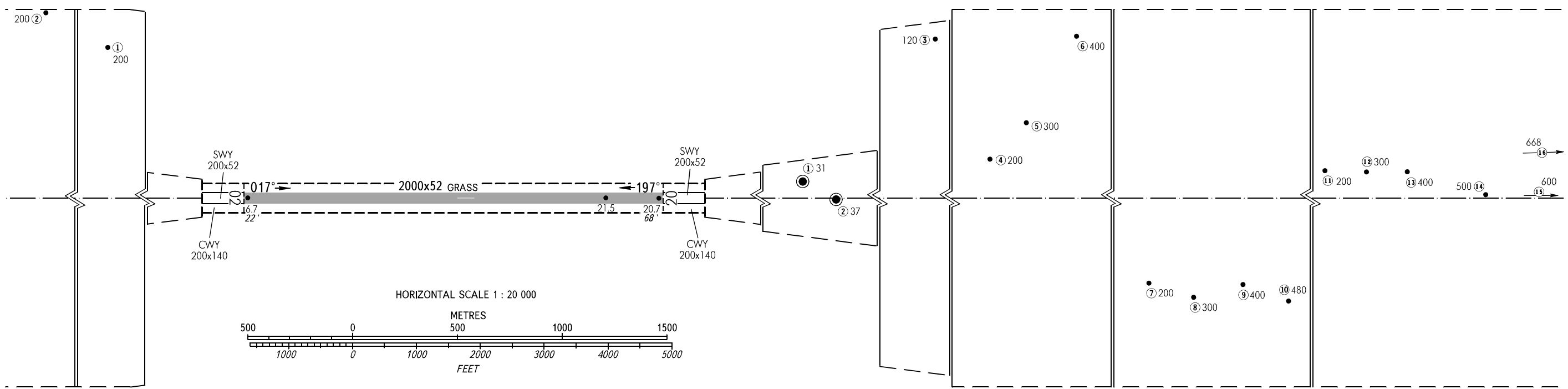
DIMENSIONS IN METRES, ELEVATIONS IN METRES AND FEET

PROVIDENIYA BAY, RUSSIA  
PROVIDENIYA  
RWY 02/20

MAGNETIC VARIATION 5°E 2017



DECLARED DISTANCES		
RWY 02		RWY 20
2000	TAKE-OFF RUN AVAILABLE	2000
2200	TAKE-OFF DISTANCE AVAILABLE	2200
2200	ACCELERATE-STOP DISTANCE AVAILABLE	2200
2000	LANDING DISTANCE AVAILABLE	2000



LEGEND	
IDENTIFICATION NUMBER	①
ANTENNA, MAST	●
TERRAIN RELIEF	•

OBSTACLES	DIST to RWY 02 THR	
	AZM true(°)	DIST(m)
⑬ TERRAIN RELIEF	021.9	14083
⑭ TERRAIN RELIEF	021.0	14487