

ELEVATIONS IN FEET  
DIMENSIONS IN METRES  
BEARINGS ARE MAGNETIC

RWY	DIRECTION (TRUE)	THR	BEARING STRENGTH
03	047.72°	57°10'09"N 065°16'51"E	PCN 74 /R/C/X/T (mixed)
21	227.75°	57°11'14"N 065°19'04"E	
12	134.72°	57°11'23"N 065°19'26"E	PCN 42 /R/C/X/T
30	314.75°	57°10'22"N 065°21'20"E	

PZ - 90.02 coordinates

AIP  
RUSSIA

**AERODROME**  
CHART - ICAO

ARP  
57°10'06"N  
065°18'58"E

ELEV  
378'

TAXIING  
START 119,000  
118,200

TYUMEN, RUSSIA  
ROSHCHINO

AD 2.1 USTR-31  
03 DEC 20

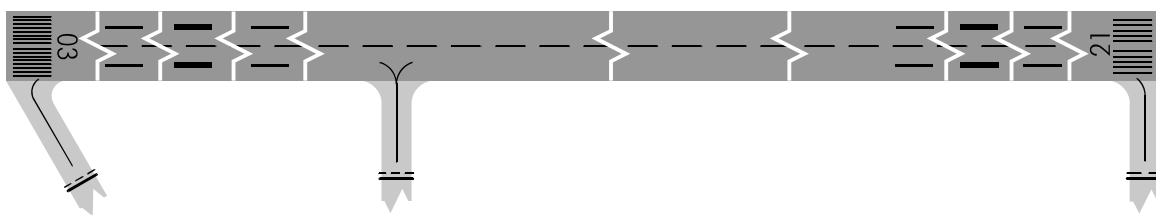
BOOK 1

AERODROME  
CHART - ICAO

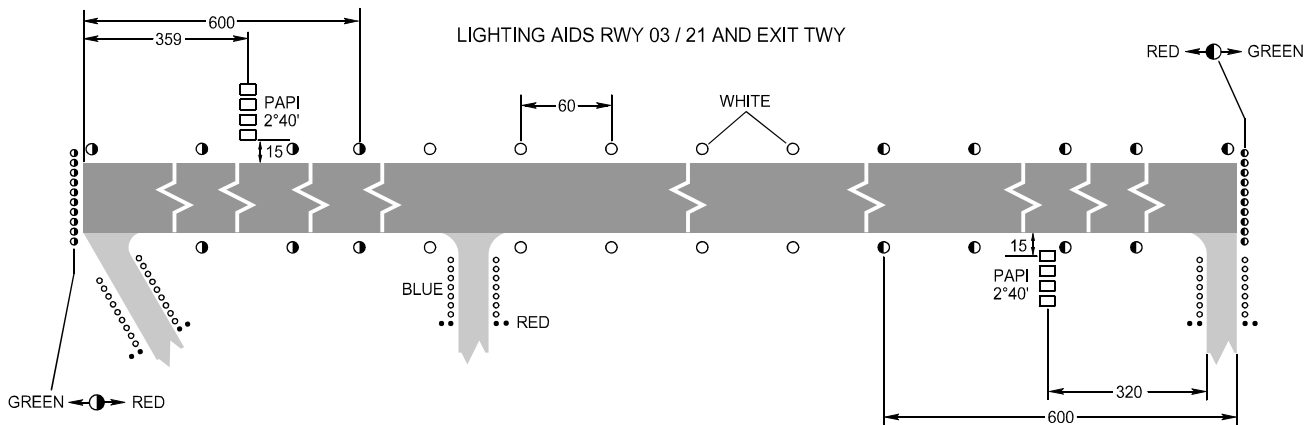
TYUMEN, RUSSIA

ROSHCHINO

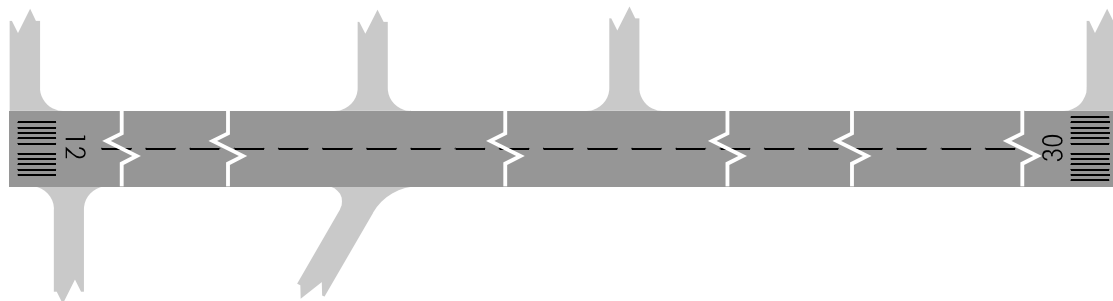
MARKING AIDS RWY 03 / 21 AND EXIT TWY



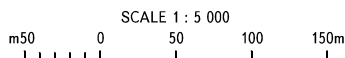
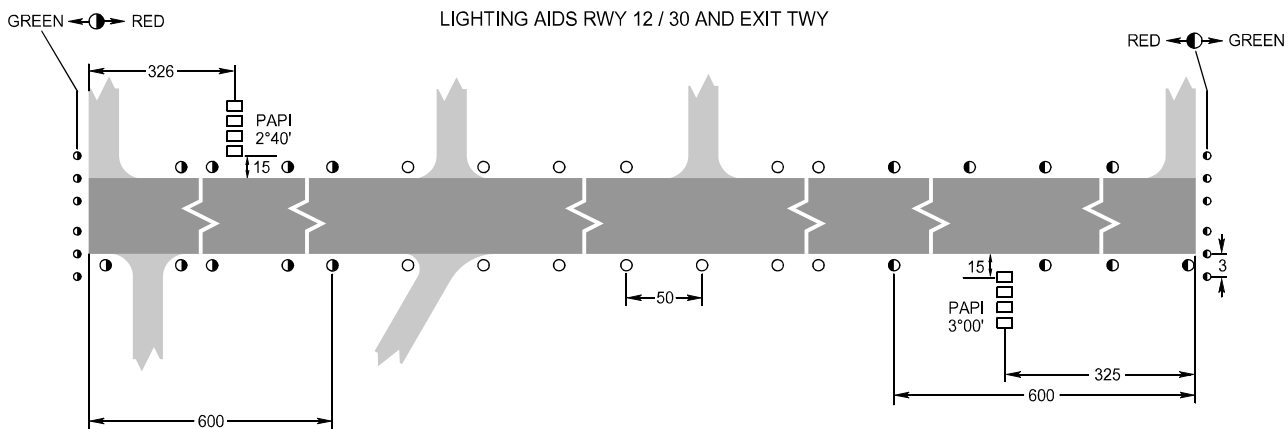
LIGHTING AIDS RWY 03 / 21 AND EXIT TWY



MARKING AIDS RWY 12 / 30 AND EXIT TWY



LIGHTING AIDS RWY 12 / 30 AND EXIT TWY



DIMENSIONS IN METRES

CHANGE: NIL